



# 132-52-11A+

## LOW VOLTAGE IPM MOTOR

TORQUE: 30Nm | POWER: 7.8kW | S2-60: 3.6kW | IP69K | 7kg



LIGHT AND COMPACT

THROUGH SHAFT  
CAPABILITY

OPTIMISED FOR REPEATABLE,  
SCALEABLE AUTOMATED  
MANUFACTURING

DELIVERS MAXIMUM  
PERFORMANCE, POWER  
AND EFFICIENCY

HIGH POWER  
DENSITY



| 132-52-11A+ (48V) |

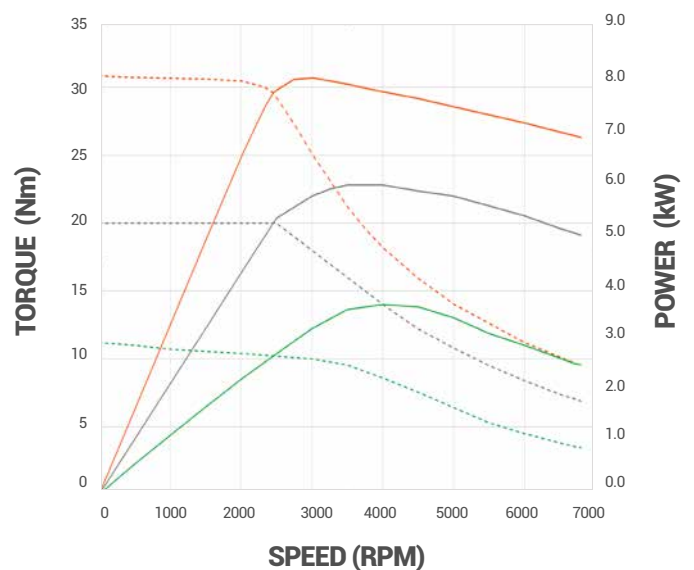
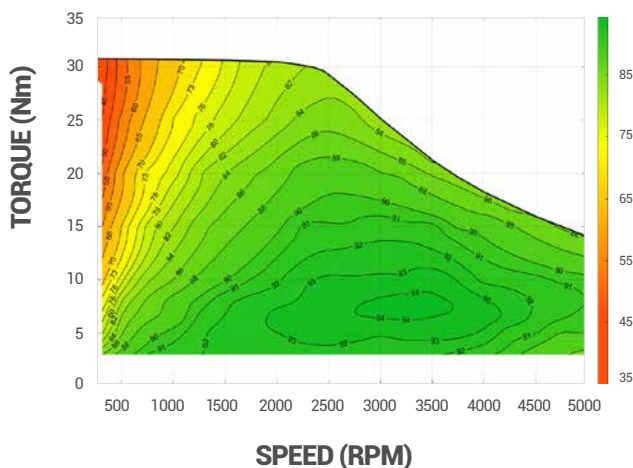
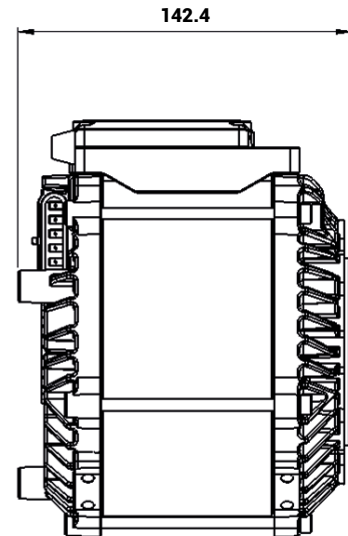
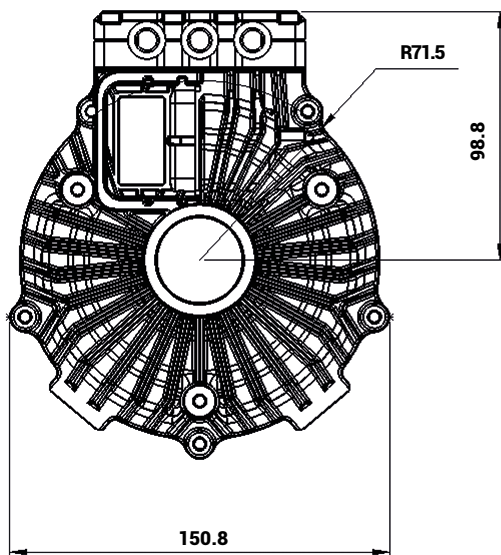
# 132-52-11A+

## PRODUCT SPECIFICATION

**132-52-11A+ (48V)**  
LOW VOLTAGE IPM MOTOR



NOMINAL VOLTAGE	PEAK TORQUE @200ARMS	PEAK POWER [S2-5]	RATED POWER [S2-60]	MAXIMUM SPEED	MOTOR WEIGHT
48V	30Nm	7.8kW	3.6kW	7000RPM	7kg



\*DATA RECORDED AT 25°C AMBIENT

--- TORQUE [S2-1]    --- TORQUE [S2-10']    --- TORQUE [S2-60']  
--- POWER [S2-2']    --- POWER [S2-10']    --- POWER [S2-60']