



# DECK-E 6000

## LOW VOLTAGE IPM MOTOR

TORQUE: 21Nm | POWER: 6kW | S1 (CONTINUOUS): 2.5kW | IP69K | 11kg



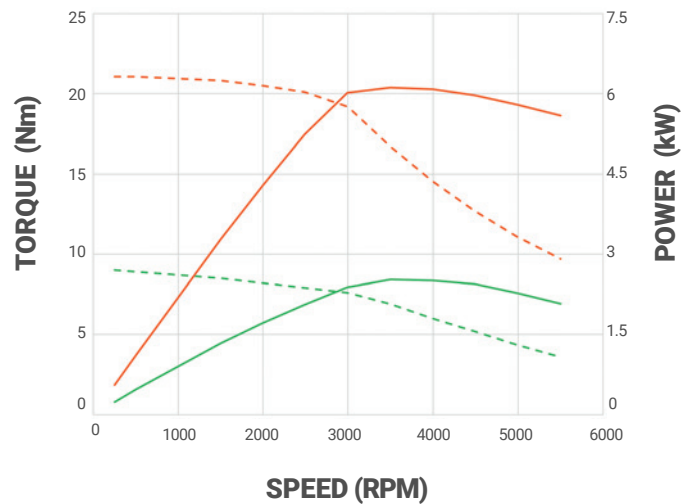
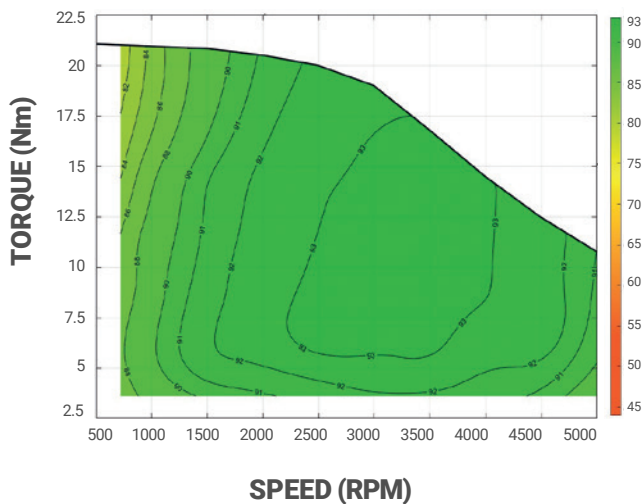
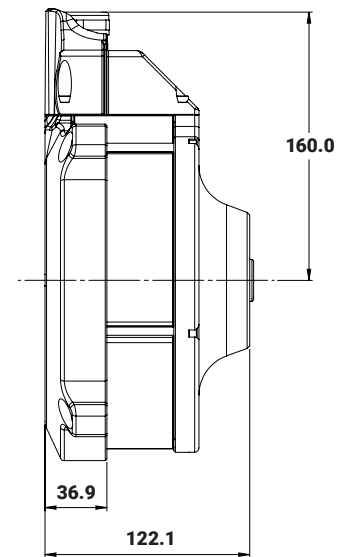
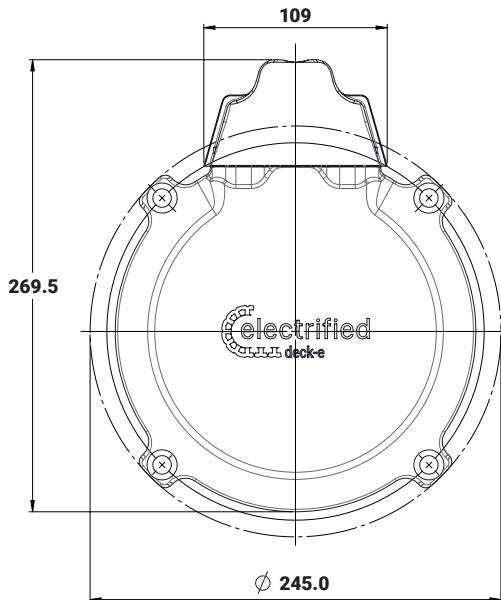
# DECK-E 6000

## PRODUCT SPECIFICATION

**EA-DECK-E 6000 (IP69K)**  
LOW VOLTAGE IPM MOTOR



| NOMINAL VOLTAGE | PEAK TORQUE @150ARMS | PEAK POWER [S2-5] | RATED POWER [S1] | MAXIMUM SPEED | MOTOR WEIGHT |
|-----------------|----------------------|-------------------|------------------|---------------|--------------|
| 48V             | 21 Nm                | 6 kW              | 2.5 kW           | 5000 RPM      | 11kg         |



\*DATA RECORDED AT 25°C AMBIENT

— TORQUE [S2-5]    — CONTINUOUS TORQUE [S1]  
- - - POWER [S2-5]    - - - CONTINUOUS POWER [S1]